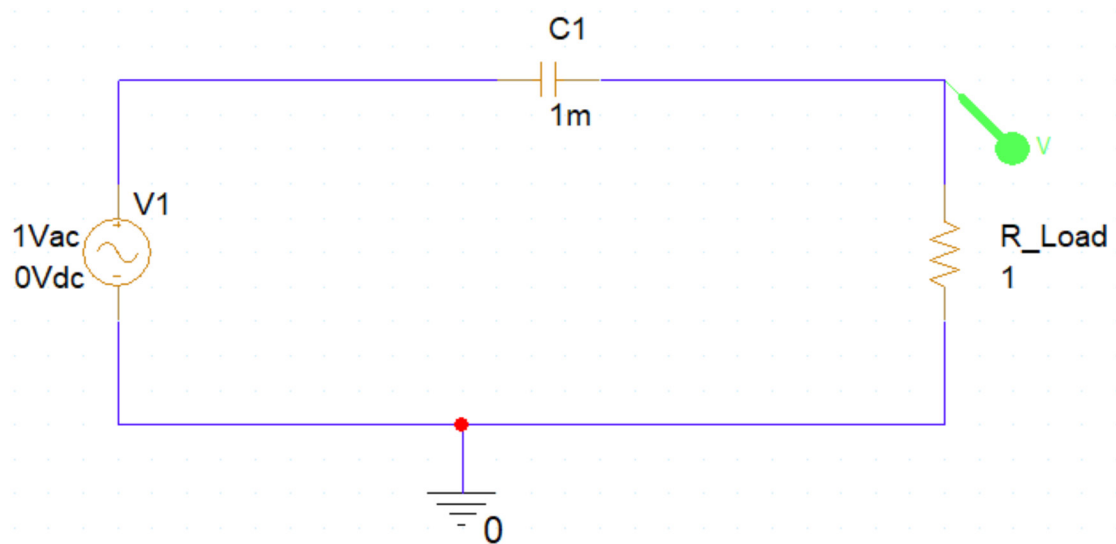
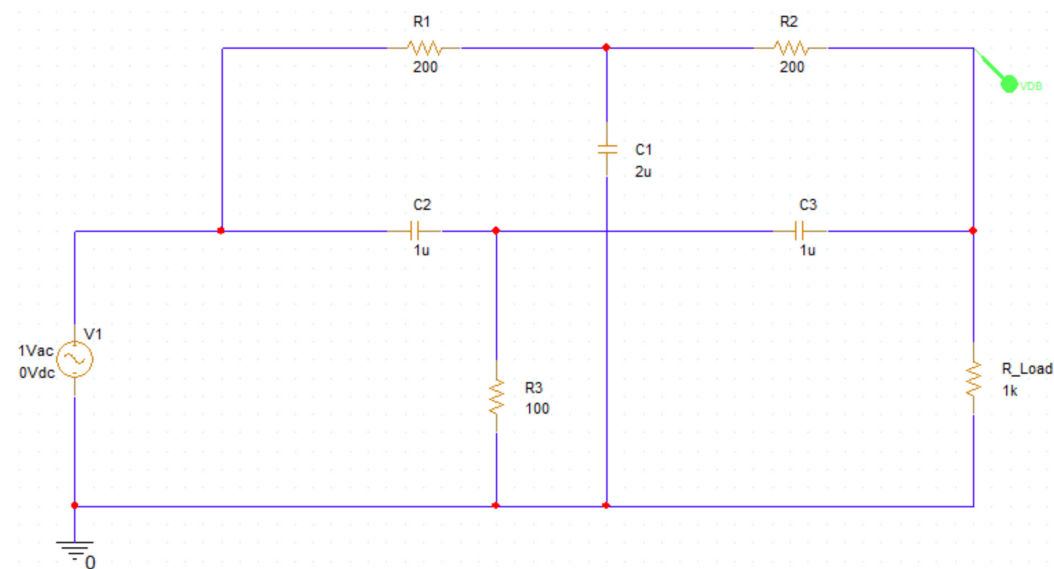


# MATCH THE CIRCUITS

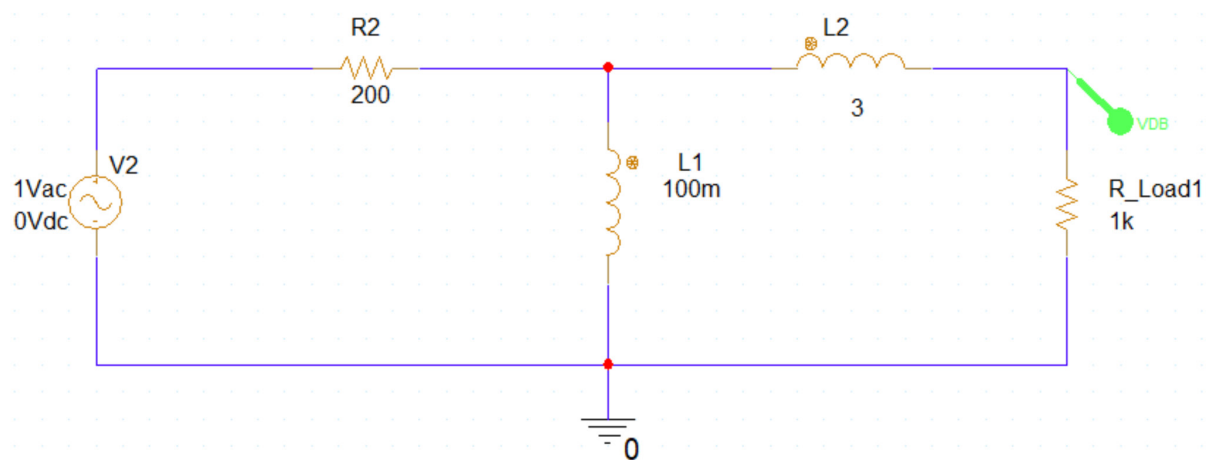
To Enter: Match the circuits to the waveforms then fill out the form on [go.ema-eda.com/circuitcontest](http://go.ema-eda.com/circuitcontest)



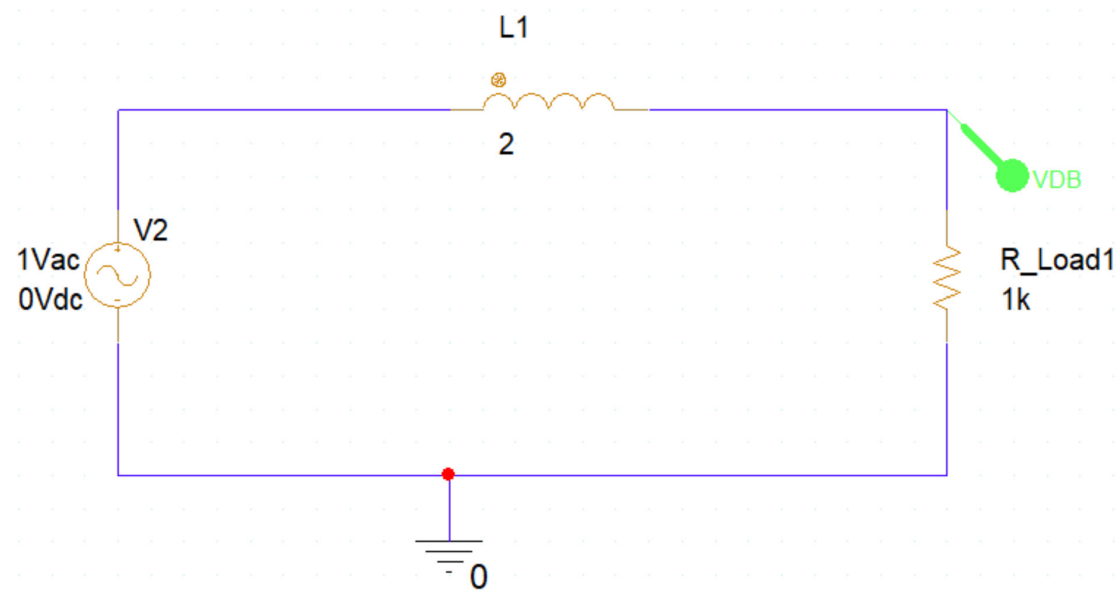
**CIRCUIT A**



**CIRCUIT C**



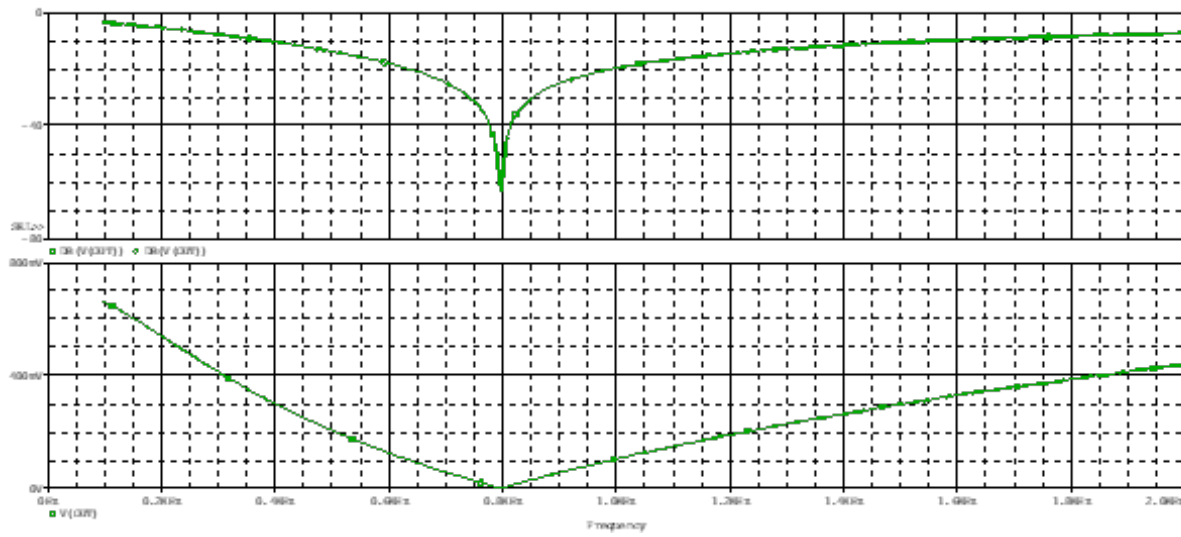
**CIRCUIT B**



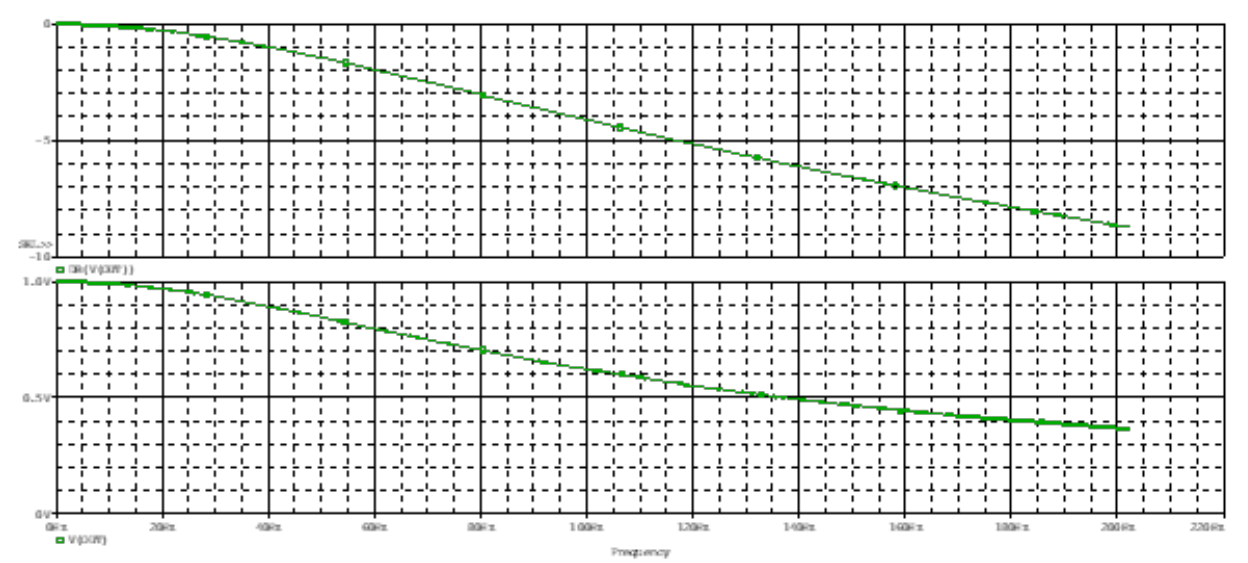
**CIRCUIT D**

# MATCH THE CIRCUITS

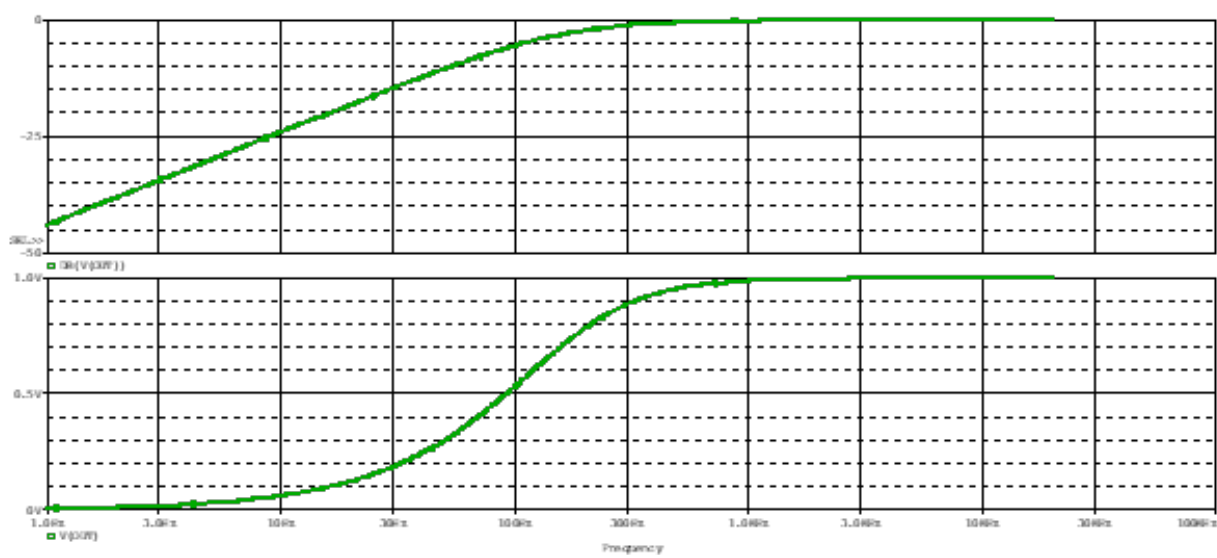
To Enter: Match the circuits to the waveforms then fill out the form on [go.ema-eda.com/circuitcontest](http://go.ema-eda.com/circuitcontest)



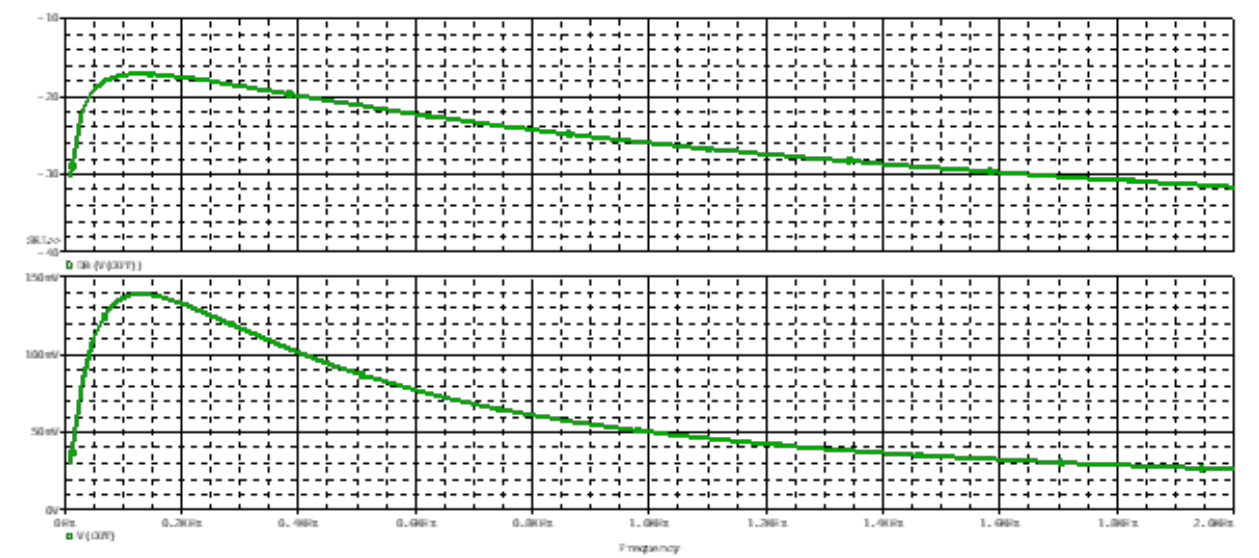
**WAVEFORM 1**



**WAVEFORM 3**



**WAVEFORM 2**



**WAVEFORM 4**